



LORANTZ

AUDIO SERVICES PTY. LTD.

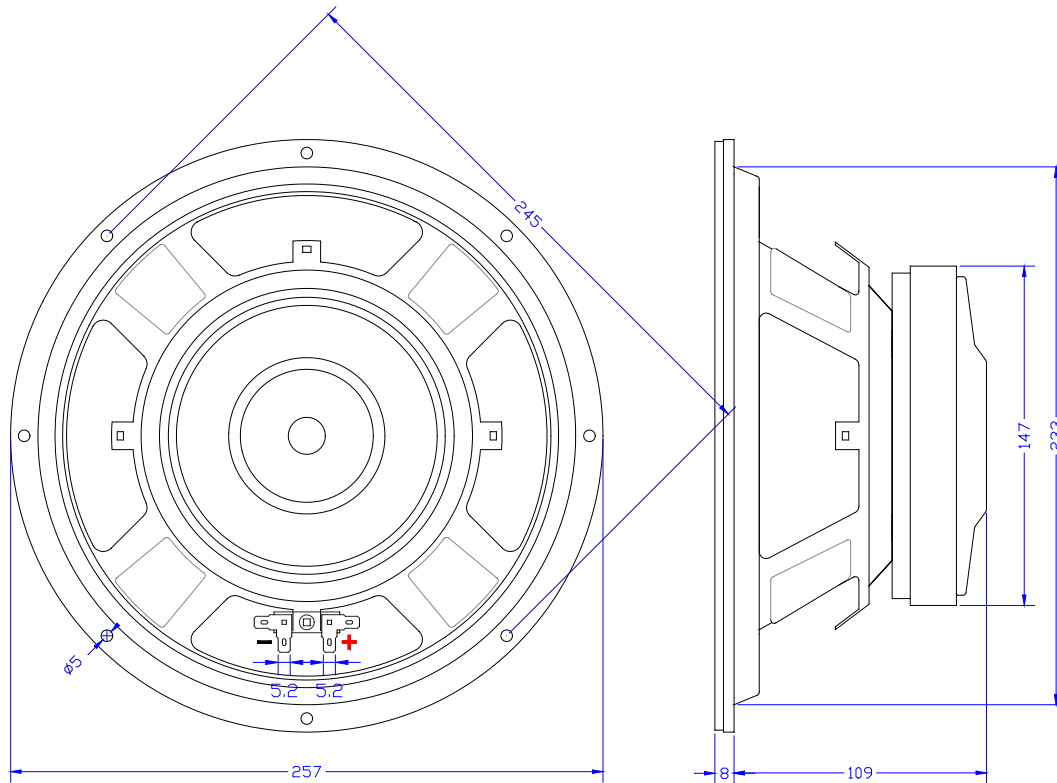
technical data

ACN 007 396 705

MODEL: AC257U

10" Steel-Frame

CAD outline drawing (Nominal dimensions)



Mounting information

Baffle opening diameter:

Front mounting 233 mm

Mounting screw hole pattern:

Eight 5.0 mm holes eqi-spaced on a 245mm P.C.D.

Flange thickness 8.3mm

Specifications are subject to change without further notice

Lorantz Audio Services Pty Ltd, Dandenong St., Dandenong, Vic., Australia, 3175

www.lorantz.com.au

Email; info@lorantz.com.au

Tel.+61397915971

LORANTZ AUDIO SERVICES PTY LTD